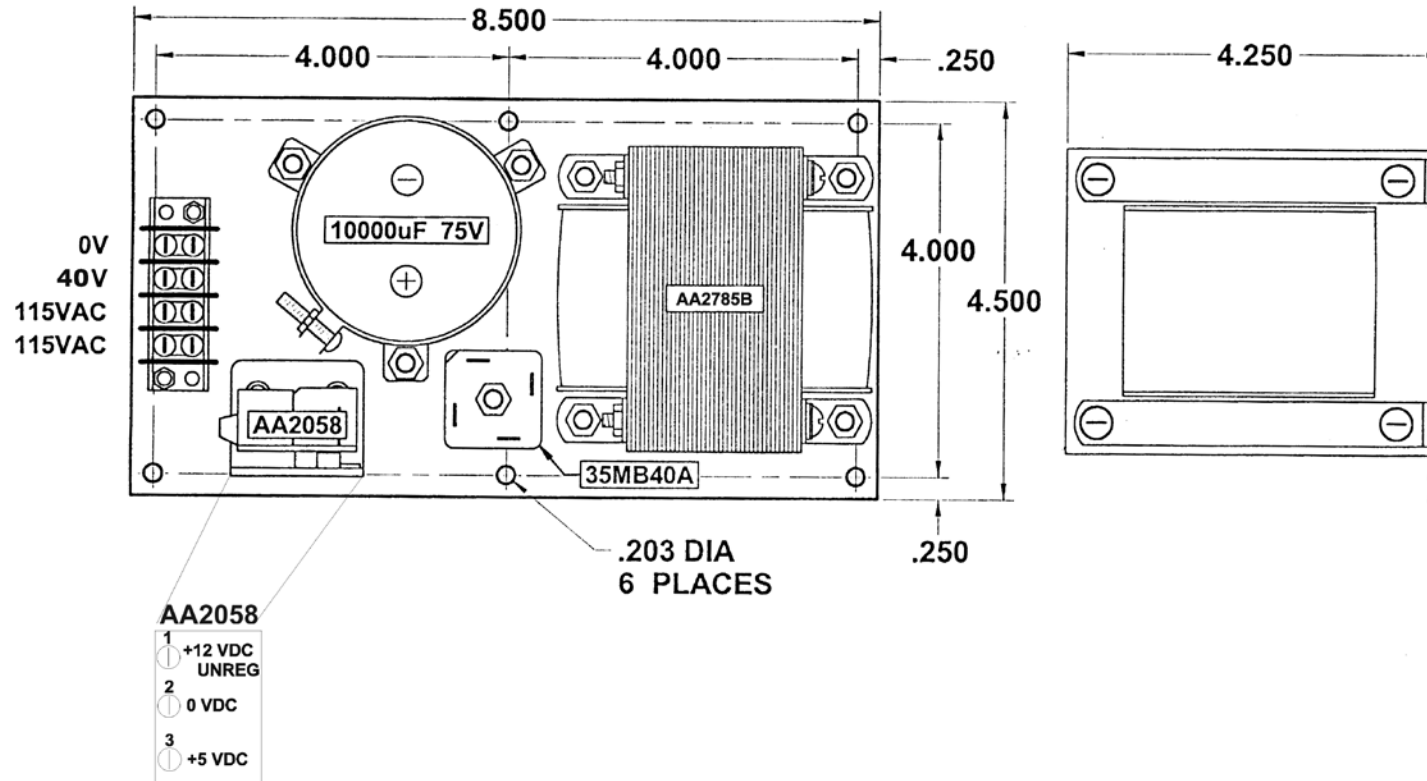


PSA40V8A-2



SPECIFICATIONS:

+40 VDC output: 8AMPS Absolute Maximum

+5 VDC output: 1.5 AMPS Absolute Maximum

+12 VDC UNREG output: 1.5 AMPS Absolute Maximum

**Maximum of 1.5 AMPS total can be drawn from both the +5VDC and +12 VDC outputs simultaneously.*

FUSE RATING:

10 AMP Fast Blow, 3AG



4985 East Landon Drive, Anaheim, CA 92807 (714) 992-6990 Fax (714) 992-0471
Website: www.anaheimautomation.com